

COLUMN INSTALLATION INSTRUCTIONS

1. MEASURE THE EXACT FLOOR TO CEILING HEIGHT USING A PLUMB TO INSURE ACCURACY.
2. CUT THE BOTTOM OF THE COLUMN SHAFT AS NEEDED TO ACHIEVE THE MEASUREMENT TAKEN IN STEP 1. USE AN ABRASIVE BLADE. CAUTION: BECAUSE ONLY THE SHAFT IS LOAD BEARING, ITS TOP AND BOTTOM EDGES MUST BE LEVEL TO ACHIEVE FULL, EVEN CONTACT BETWEEN LOAD SURFACES AND SHAFT. USE A RASP TO LEVEL AS REQUIRED. NOTE: ALL HEIGHT ADJUSTMENTS MUST BE MADE FROM THE BOTTOM OF THE SHAFT. FOR THE CAP TO FIT CORRECTLY, THE TOP OF THE SHAFT MUST BE TRIMMED ONLY ENOUGH TO ACHIEVE LEVEL CONTACT WITH LOAD SURFACES, OR TO ACHIEVE CORRECT INSTALLATION OF DECORATIVE CAPITALS.
3. SLIP ONE-PIECE CAP AND BASE ONTO COLUMN SHAFT (SEE FIGURE 1). THE TWO-PIECE CAP AND BASE ARE ATTACHED AFTER THE SHAFT IS INSTALLED. IF THIS COLUMN IS INSTALLED WHERE IT COULD COLLECT WATER OR DEBRIS, THE TOP OF THE COLUMN AND CAP MUST BE FLASHED (COVERED) TO PREVENT SUCH COLLECTION. USE LEAD, COPPER, ALUMINUM, GALVANIZED, ETC. FLASHING CUT SLIGHTLY LARGER THAN THE CAP, AND FOLD THE EDGES DOWN OVER THE CAP AFTER STEP 5. IT IS NOT PERMISSIBLE AT ANY TIME TO FILL THE INTERIOR OF THE COLUMN SHAFT WITH SAND, CONCRETE OR ANY OTHER MATERIAL.
4. IF INSTALLATION REQUIRES SOME METHOD OF SECURING THE COLUMN IN PLACE BEFORE LOAD IS APPLIED, AN L-BRACKET WITH NUTS AND BOLTS (SEE FIGURE 2) NOTE: ALWAYS DRILL CLEARANCE HOLES IN COLUMNS AND SECURE WITH THROUGH-BOLTS --- DO NOT USE SCREWS --- AND DO NOT OVER-TIGHTEN.
5. APPLY STANDARD CONSTRUCTION ADHESIVE TO FLASHING (IF USED), TOP SURFACE OF CAP AND BOTTOM SURFACE OF BASE; THEN TIP LOOSELY ASSEMBLED COLUMN SHAFT INTO POSITION, ALIGN FLASHING (IF USED), AND LOWER LOAD ONTO SHAFT TO HOLD IT IN POSITION. ALIGN SQUARE PART OF CAP WITH LOAD SURFACE (OR FLASHING) ABOVE AND PUSH UP AGAINST IT TO SECURE. ALIGN SQUARE PART OF BASE WITH LOAD SURFACE BELOW CAP AND PUSH DOWN UNTIL IT IS SECURE.
6. CAULK GAPS BETWEEN SHAFT AND CAP AND BASE AS DESIRED.
7. ALL ROUND COLUMNS ARE FACTORY SANDED. ALL SURFACES OF CAP AND BASE, SQUARE COLUMNS, AND THE CONCAVE AREA AT THE BOTTOM OF THE FLUTES ON FLUTED COLUMNS REQUIRE PREPARATION BY SANDING WITH 80 TO 100 GRIT SANDPAPER. SAND TO REMOVE ALL GLOSSY AREAS. ALWAYS FOLLOW THE INSTRUCTIONS OF THE PAINT MANUFACTURER.
 - A. TO PAINT WITH OIL BASE PAINT, REMOVE ALL DUST AND DIRT BY THOROUGHLY WIPING COLUMN WITH CLEANER COMPATIBLE WITH YOUR CHOSEN PAINT. ALLOW TO DRY COMPLETELY. USE A HIGH QUALITY OIL BASE PAINT. PRIMER IS NOT NEEDED IF THE OIL BASE PAINT IS THE DESIRED COLOR.
 - B. TO PAINT WITH ACRYLIC LATEX PAINT, WE RECOMMEND USING A HIGH QUALITY PRIMER LIKE SHERWIN-WILLIAMS® PREPRITE® ANCHOR-BOND AND A TOPCOAT LIKE SHERWIN-WILLIAMS® SUPERPAINT®. REMOVE ALL DUST AND DIRT BEFORE PAINTING BY THOROUGHLY CLEANING WITH A CLEANER LIKE SIMPLE GREEN® OR ISOPROPYL ALCOHOL. ALLOW TO DRY COMPLETELY BEFORE PRIMING.

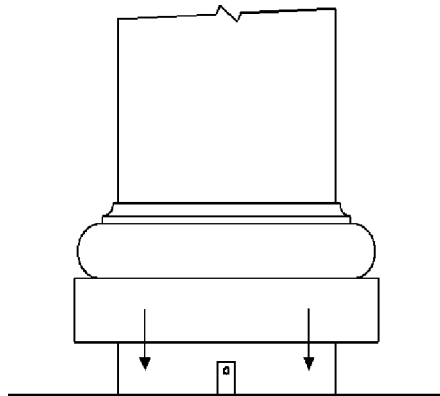


Figure 1

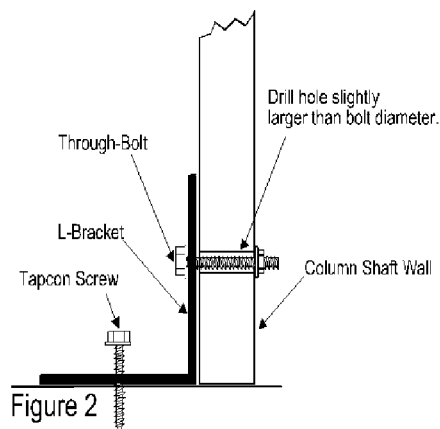


Figure 2

SPLIT COLUMN INSTALLATION INSTRUCTIONS

1. COLUMNS MAY BE FACTORY SPLIT TO COVER LALLY COLUMNS, POSTS, ETC. OR FIELD SPLIT USING AN ABRASIVE CARBORUNDUM OR CARBIDE BLADE. NOTE: SPLIT COLUMNS ARE NOT LOAD BEARING, EVEN WHEN REASSEMBLED.
2. TO REJOIN HALVES APPLY A GOOD QUALITY CONSTRUCTION ADHESIVE TO ALL JOINT SURFACES. PLACE THE COLUMN HALVES AROUND THE EXISTING SUPPORT COLUMN. CAREFULLY ALIGN THE TWO HALVES TOGETHER. LOOSELY INSTALL RATCHET OR NYLON STRAPS AROUND THE ASSEMBLED COLUMN APPROXIMATELY 2 TO 3 FEET APART. INSERT 1/8" SPACERS OR SHIMS INTO EACH JOINT OF THE COLUMN AND THEN PULL THE STRAPS TIGHT. AFTER ALL STRAPS AND SPACERS HAVE BEEN INSTALLED, POSITION THE COLUMN AND SECURE THE L-BRACKETS TO THE TOP AND BOTTOM SURFACES.
3. WHEN CONSTRUCTION ADHESIVE CURES USE POLYESTER BODY FILLER (BONDO OR DURAGLAS) TO FILL THE JOINT. FOLLOW THE BODY FILLER MANUFACTURER'S MIXING RECOMMENDATIONS. WORK THE BODY FILLER INTO THE JOINTS WITH A PLASTIC BODY FILLER SPREADER OR PUTTY KNIFE.
4. WIPE OR SCRAPE AWAY ANY EXCESS BODY FILLER. AFTER THE BODY FILLER HAS CURED, REMOVE THE STRAPS AND REMOVE THE SPACERS. FILL THE AREAS OF THE JOINTS WHERE THE SPACERS AND STRAPS HAD BEEN WITH BODY FILLER.
5. AFTER ALL OF THE BODY FILLER HAS CURED, SAND THE JOINTS SMOOTH WITH SANDPAPER. IF NECESSARY, FILL ANY LOW SPOTS WITH BODY FILLER. SAND AGAIN UNTIL SMOOTH.
6. APPLY CONSTRUCTION ADHESIVE TO THE TOP OF THE CAP. PUSH THE CAP UP AGAINST THE CEILING SURFACE BEING CAREFUL TO ALIGN THE SQUARE PORTION OF THE CAP TO THE SURFACE. APPLY CONSTRUCTION ADHESIVE TO THE BOTTOM OF THE BASE. PUSH THE BASE DOWN AGAINST THE FLOOR SURFACE BEING CAREFUL TO ALIGN THE SQUARE PORTION OF THE BASE TO THE SURFACE.
7. CAULK THE JOINT BETWEEN THE CAP AND THE COLUMN SHAFT AND THE JOINT BETWEEN THE BASE AND THE SHAFT. FINISH COLUMNS AS INDICATED ABOVE.

COLUMNS

SHEET NO.

PC-06

2020

POLYMER
COMPOSITE
COLUMNS



ARCHITECTURAL FIBERGLASS, INC.

8300 BESSEMER AVE., CLEVELAND, OHIO 44127-1839
(216) 641-8300 - FAX:(216) 641-8150
www.fiberglass-afi.com